



FR-1

HIGH FREQUENCY SMART BATTERY CHARGER

FEATURES

MULTI-VOLTAGE

- 12V / 16V / 24V / 28V / 36V / 42V / 48V

AMPERAGE ADJUSTABLE

WIFI ENABLED + MOBILE APP

- Easily configure and upload charging settings
- Access historical charging data

INTUITIVE LED DISPLAY

- Easy access to real time charging data

SHORT CIRCUIT PROTECTION

DURABLE ABS CASE

fullriverbattery.com

*WIFI-DONGLE is sold separately; required to access mobile app features.



THE MOST VERSATILE CHARGER

The FR-1 can be configured based on the application and the battery brand being used. With a wide battery range of 130 Ah to 450 Ah at a 20 hour rate, the FR-1 will fit your every need.

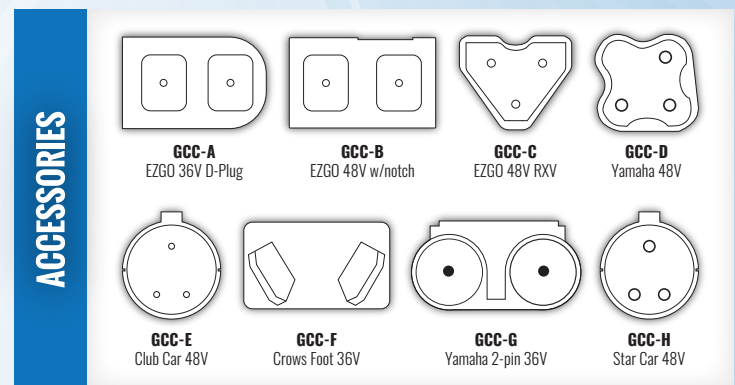
VOLTAGE	CURRENT	20 HOUR RATE [Ah]	
		MIN	MAX
12 V / 16 V	15 A	130	185
	20 A	150	240
	25 A	220	315
	30 A	245	350
24 V / 28 V	15 A	130	185
	20 A	150	240
	25 A	220	315
	30 A	245	350
36 V	15 A	130	185
	20 A	150	240
	25 A	220	315
42 V / 48 V	15 A	130	185
	20 A	150	240

NOTE: Capacity (Ah) ranges target an 8 to 12 hour recharge time. The FR-1 can be used on higher capacity battery systems; with the expectation of extended recharge times.

PART NUMBER	DESCRIPTION [AC cord included]
FR1-RT	FR-1 charger with 3/8" ring terminals
FR1-SB50	FR-1 charger with Anderson SB50
FR1-SB175	FR-1 charger with Anderson SB175
FR1-GCC-A	FR-1 charger with EZGO 36V D-plug
FR1-GCC-B	FR-1 charger with EZGO 48V NOTCH plug
FR1-GCC-C	FR-1 charger with EZGO 48V RXV plug
FR1-GCC-D	FR-1 charger with Yamaha 48V plug
FR1-GCC-E	FR-1 charger with Club Car 48V plug
FR1-GCC-F	FR-1 charger with Crows Foot 36V plug
FR1-GCC-G	FR-1 charger with Yamaha 2-pin 36V plug
FR1-GCC-H	FR-1 charger with Star Car 48V plug
FR1-AGC	FR-1 charger with alligator clips
WIFI-DONGLE	FR-1 wireless programming accessory

FR-1 SPECS

	VDC								
	12	16	24	28	36	42	48		
DC OUTPUT	Max DC Wattage	441	696	882	1015	1102	1200	1200	
	Max DC Amperage	30	30	30	25	25	20	20	
	Max DC Voltage	17.4	23.2	34.8	40.6	52.2	60.9	69.6	
	Min DC Voltage	-6 volts of nominal setting							
	Max Interlock Amperage	2 Amps (on inductive load)							
	Battery Type	Lead-acid (Wet, AGM, GEL), Lithium-ion							
	Reverse Polarity	Electronic Protection							
	Short Circuit	Electronic Current Limit							
	AC INPUT	AC Input Voltage Range	Universal 100-230 VAC +/- 15%						
		AC Input Frequency	50 / 60 Hz						
Max AC Input Current		12 Amps							
AC Power Factor		>.99 @ 115 VAC							
GENERAL	Dimensions	13.5" x 7.0" x 3.9"							
	Weight	7 lbs / 3.2 kg							
	AC Input Connector	IEC 320 C14 (AC Cord included)							
	DC Output Connector	SB50 Standard or 3/8" Ring Terminal							
	Operating Temperature	14°F - 113°F (-10°C - 45°C)							
	Enclosure	Self-Extinguishing ABS							
	Efficiency	> 90% @ Full Load, CEC Compliance (pending)							



DESIGNED WITH FLEXIBILITY IN MIND

Your needs change. The FR-1 can change with you. Easily reconfigure the FR-1.

Search **Fullriver FR-1**. WIFI dongle accessory required.



Part Number
WIFI-DONGLE

Prior to configuration, mobile device must be connected to charger via WIFI. Please see APP USER GUIDE for help.